

LIGHT TOWERS

Atlas Copco's mobile LED light sets are ideal for construction sites, outdoor events, and military stations. Each mast can effectively illuminate an area of up to 5,000 m² with an average intensity of 200 lux.

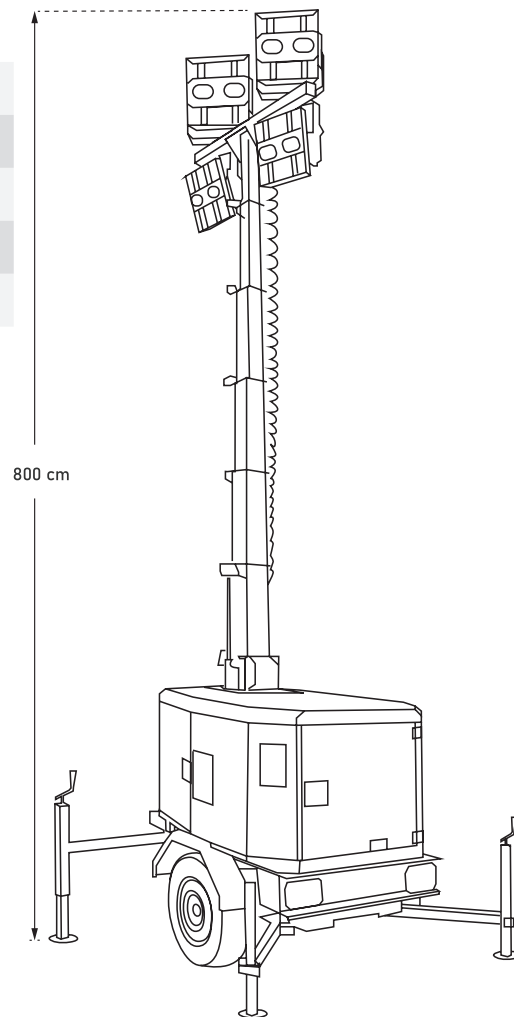
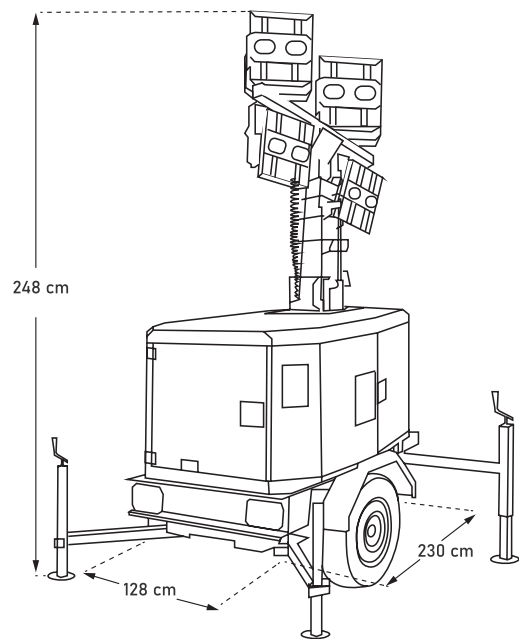
Featuring advanced optics and directional LED lamps, these masts deliver consistently bright light while minimizing light loss. They are also designed for energy efficiency, ease of use, and straightforward transport.



LIGHT TOWERS

Technical parameters:

Dimensions of folded tower:	230 x 128 x 248 cm
Height of expanded tower:	8 m
Mast weight:	1000 kg
Tank volume:	110 l
Wind resistance:	up 80 km/h



CHECK
ONLINE

